

CCAS0618-1010411N0

Counter Basin

Recommended use

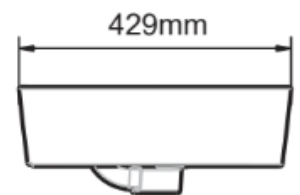
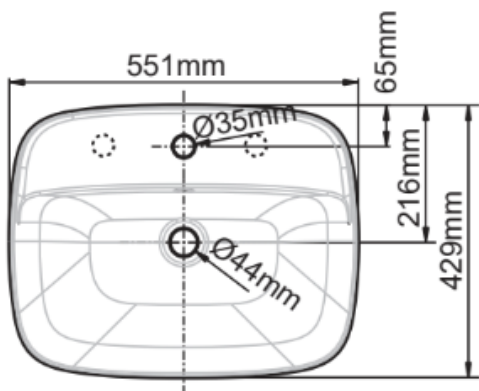
Domestic, hotel and commercial

KEY SPECIFICATIONS

- Finish: White
- Integral overflow: Yes
- Fixing: Sealed to bench top
- Tap hole: 1TH
- Plug and waste: Suits 32 x 40mm waste (not included)
- Template: Supplied with product
- Warranty: 10 years

FEATURES

- Material: Vitreous china
- Overall dimensions (mm): L551xW429xH125mm
- Design: Thin edge



SHIPPING WEIGHT

- Gross Weight: 16kg