

CCASF611-0000410R0

Square Vessel

Recommended use

Domestic, hotel and commercial

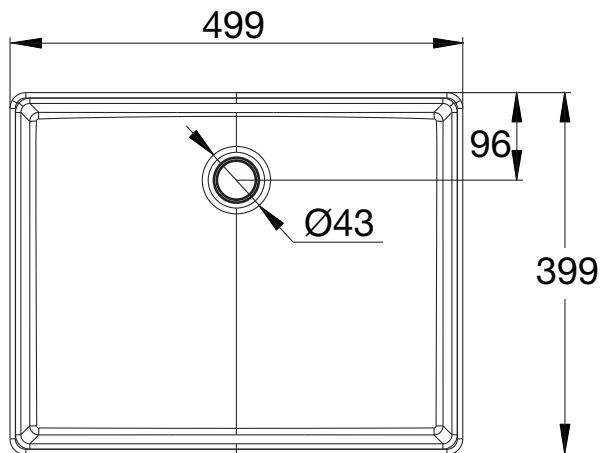
KEY SPECIFICATIONS

- Finish: White
- Integral overflow: No
- Fixing: Sealed to bench top
- Tap hole: 0TH
- Plug and waste: Suits 32 x 40mm waste (not included)
- Template: Supplied with product
- Warranty: 10 years



FEATURES

- Material: Fine Fire Clay
- Overall dimensions (mm): L499xW399xH150mm



SHIPPING WEIGHT

- Gross Weight: 11.5kg